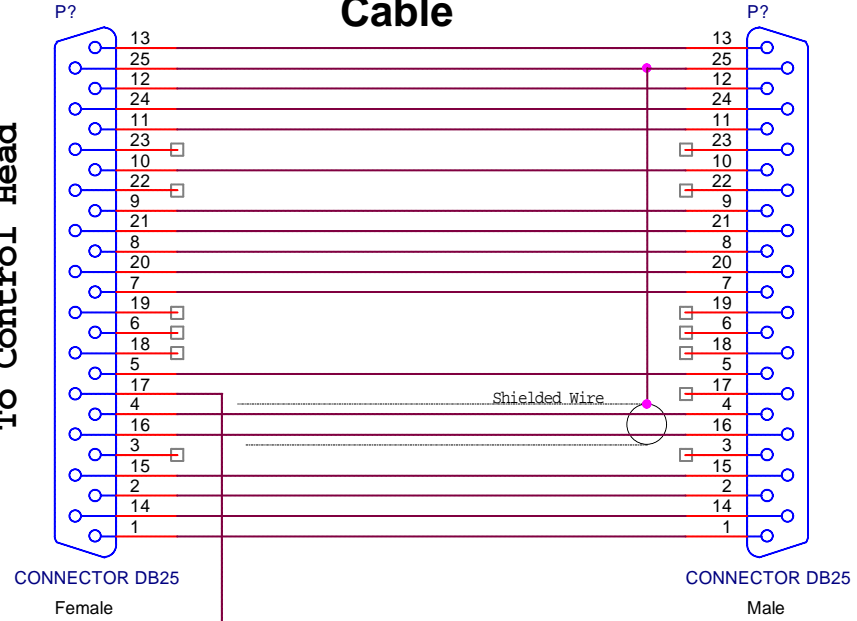


To Control Head

Cable

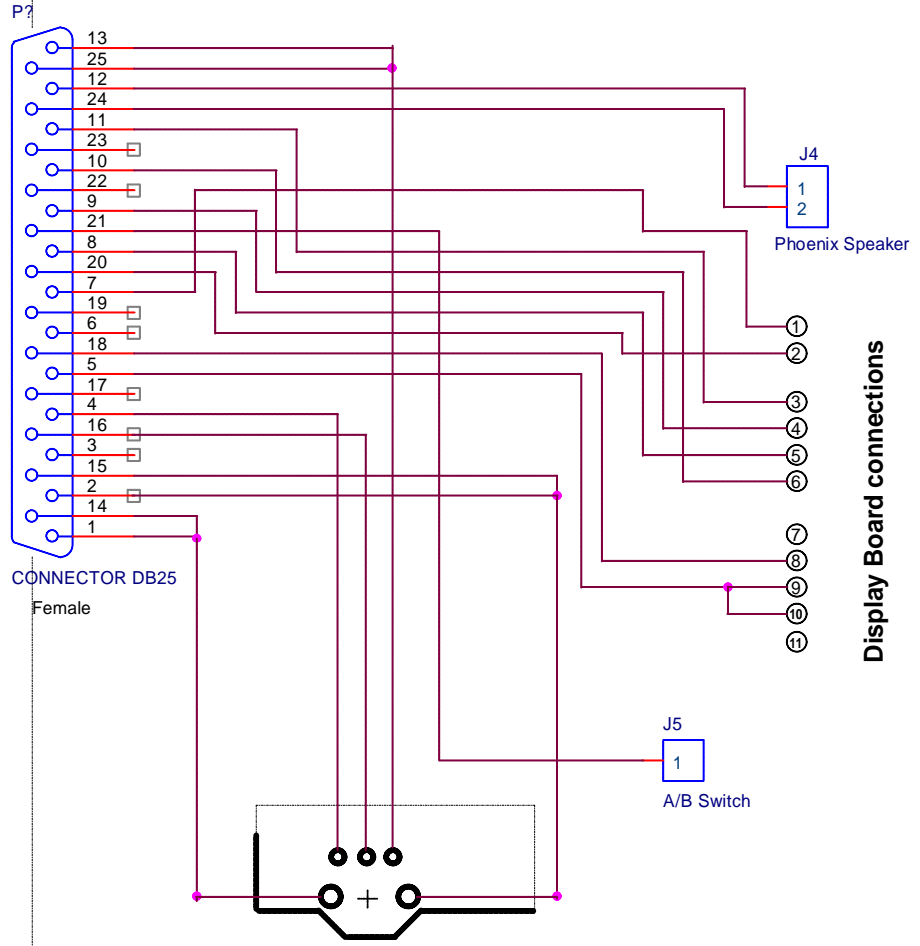


CONNECTOR DB25
Female

CONNECTOR DB25
Male

J3
Syntor X PTT (Active High)

Phoenix Radio



J4
1
2
Phoenix Speaker

J5
1
A/B Switch

Display Board connections
①
②
③
④
⑤
⑥
⑦
⑧
⑨
⑩
⑪

PC Board, on bottom side of radio where Vol control and ON/OFF switch was removed.

Title Armadillo Phoenix Duplex Radio - Cable and Radio connections		
Size A	Document Number {Doc}	Rev {RevCode}
Date: Sunday, January 20, 2002	Sheet 1	of 1